

BOLT

HIGH PERFORMING FLOODLIGHT LUMINAIRE

Housing

Diameter : 7.87" x 17.68" x 11.68" | Weight : 24.25 lbs

Material

Housing : High Pressure Die-Cast Aluminum
Lens : Clear Polycarbonate

Power Input

260W | 120-277V

Lumen Output

22,100 lm (260W) - W+RGB combined

Dimming

DMX : High resolution dims to 0.1% (Supports ANSI E1.20 RDM protocol)

Color Quality

CRI 85

Rated Life

> 100,000 Hours (L70)

Finish



Black

White

Color Temperature



3000K

Archi-Color® W+RGB

Optics



30°

60°

Wide

Mounting



Bracket

Warranty

5 Year limited warranty

Listing



SPECIFICATION SHEET ARCHI-COLOR® W+RGB OUTDOOR

Unrivalled Performance and Versatility

The Bolt series are award-winning floodlights available in a single or dual module configuration that feature cutting-edge LED technology. It delivers lumen package of up to 22,100 lm.

Hidden under the hood of this sleek and rugged form, is a new light engine that offers static white, tunable white, and Archi-Color® W+RGB dynamic color changing possibilities.



SPECIFICATION

PROJECT NAME

DATE

CATALOG #

QUANTITY

The product configurator function on this page works only with the latest version of Chrome or Adobe Acrobat Reader.

<input type="text" value="BLT"/>	MODEL	BOLT SERIES		
<input type="text" value="260"/>	WATTAGE	260 260W		
<input type="text" value="308C"/>	CCT / CRI	308C 3000K + RGB / CRI 85 Archi-Color® W+RGB		
<input type="text" value="UNV"/>	VOLTAGE	UNV 120 – 277V		
<input type="text"/>	DIMMING	DMX DMX dims to 0.1% (XLR Sockets)	DMXR DMX dims to 0.1% (RJ45 Sockets)	
<input type="text"/>	BEAM ANGLE	30 30°	60 60°	WD¹ Wide
<input type="text"/>	FINISH	BLK Black	WHT White	
<input type="text" value="BRK"/>	MOUNTING	BRK Bracket		
<input type="text" value="RM"/>	POWER SUPPLY	RM² Remote Power Box		
<input type="text"/>	RATING	OUT³ Outdoor Rating	NAT⁴ Natatorium Rating	
<input type="text"/>	ACCESSORIES	WG⁵ Wire Guard (IK10 Rating) DF⁸ Diffuser	GSB⁶ Glare Shield Baffle	GSV⁷ Glare Shield Visor

CLEAR FORM

¹ WD option reduces delivered lumens by ~20%
² Remote power box is dry location only
³ Outdoor Rating: Coating and wiring will be changed to high UV resistant and corrosion resistant materials for long-term operation in outdoor environments
⁴ Natatorium Rating: Coating and sealant will be changed to high corrosion resistant materials to prevent damage from long-term exposure to chlorine vapors
⁵ WG option reduces delivered lumens by ~14%
⁶ GSB option reduces delivered lumens by ~25%
⁷ GSV option reduces delivered lumens by ~15%
⁸ DF option reduces delivered lumens by ~12% (~20% with WD)

TECHNICAL DETAILS

Electrical

- 22,100 lm (260W)
- Power Input : Universal (120-277V)
- Operating Temperature : -40°F~104°F
- Surge Protection : Built-in is 4KV

LED Features

- Color Temperature : 3000K + Archi-Color® W+RGB
- CRI 85
- Long lasting LED luminaire tested under TM21 lumen maintenance L70 @ 100,000 Hrs

Optics

- Precision molded high transmittance clear PC lens
- Beam Angle : 30°, 60°, Wide
- RGB Beam Angle : WD

Advanced Dimming

- Proprietary VX Driver™ is integrated across all dimming options, delivering video flicker-free performance and full compliance with IEEE 1789.
- DMX : high resolution dims to 0.1% (Supports ANSI E1.20 RDM protocol)

Housing

- Diameter : 7.87" x 17.68" x 11.68"
- Material : High Pressure Die-Cast Aluminum, Tempered Glass
- Weight : 24.25 lbs

Mounting

- Bracket with remote power box

Warranty

- 5-year limited warranty

Listing

- ETL Wet Location Listed
- CE
- UKCA
- FCC
- IP 65
- IK10

PERFORMANCE SUMMARY*

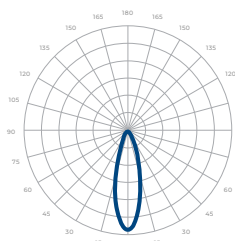
Delivered Lumens				
CCT/WATTAGE	R	G	B	W
260W	40W	40W	40W	140W
	650lm	4,450lm	1,260lm	15,740lm

*Beam Angle: 60° *Tolerance ±8%

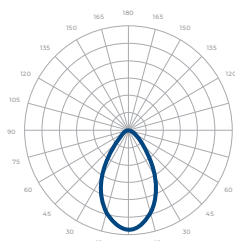
Current Consumption		
WATTAGE / VOLT	120V	277V
260W	2.39A	1.04A

PHOTOMETRICS

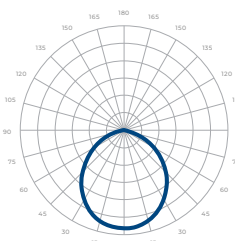
Below is a typical photometric representation of the Bolt fixture. Please download IES files to ensure exact photometric value.



30°



60°



WIDE

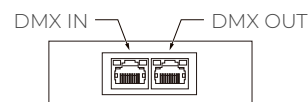
DMX REQUIREMENTS

The Bolt Archi-Color® W+RGB fixture with DMX is a **four channel dmx** unit. When placing an order, please indicate DMX address. (The DMX address will be listed on the back of the fixture). Do not connect more than 32 fixtures per DMX daisy chain.

Fixture	DMX Address			
	Red Control (ex. X)	Green Control (ex. X+1)	Blue Control (ex. X+2)	White Control (ex. X+3)
#1	1	2	3	4
#2	5	6	7	8
#3	9	10	11	12

The fixture can be connected with RJ45 or XLR sockets. DMX cables **are not** included; please refer to compatible DMX cabling list for more information. The final fixture on each daisy chain should be terminated by the use of a DMX terminator purchased from a 3rd party or from Meteor.

CONNECTION	RJ45 (CAT5e)	5-PIN XLR
Common	WHITE/BROWN(PIN7) & BROWN (PIN 8)	PIN 1
Signal -	ORANGE (PIN 2)	PIN 2
Signal +	WHITE/ORANGE (PIN 1)	PIN 3
Spare	-	PIN 4
Spare	-	PIN 5



RJ45 Sockets



DMX IN DMX OUT

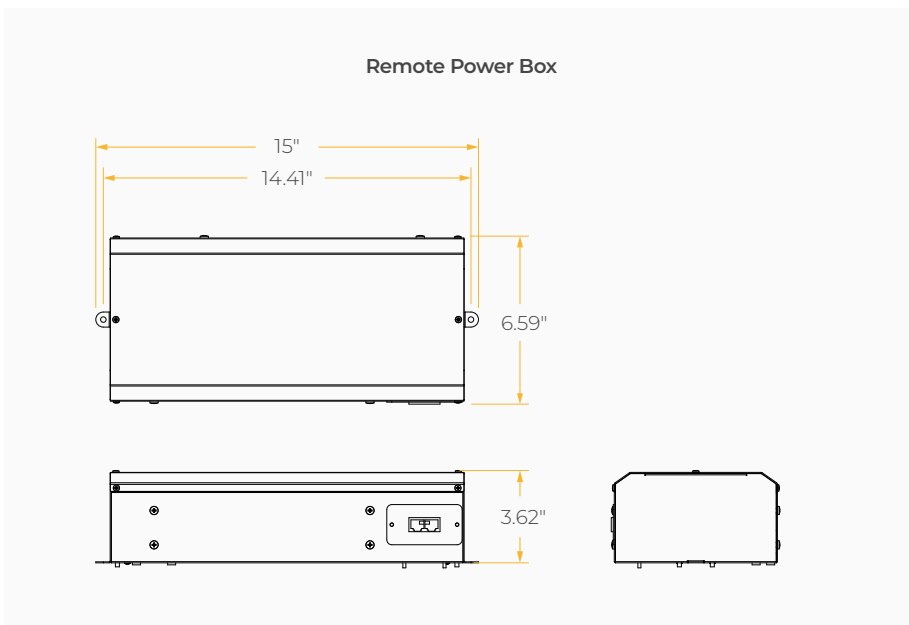
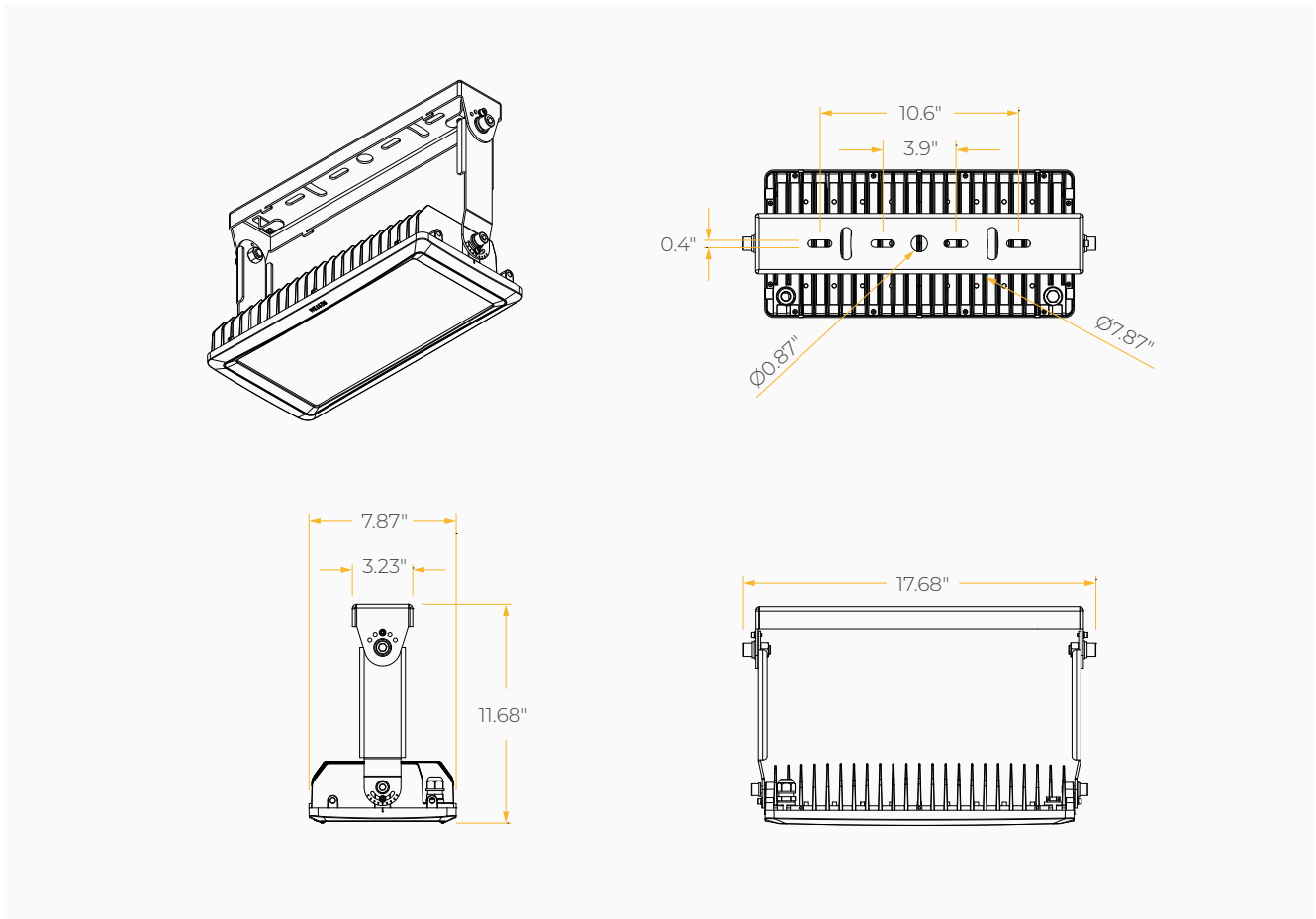
XLR Sockets

COMPATIBLE DMX CABLING LIST

DMX uses a cable consisting of two twisted pairs plus a shield to carry data. The cable must be specifically impedance matched for the digital DMX signal, meaning that microphone cable or other non-rated cable **must not be used to carry DMX**. Network cable (Cat5, 5e or 6 cable) may be used to carry DMX in an installation; however special consideration must be given to shielding and termination. Under no circumstances should solid core cable like Cat5 be terminated into a screw down connector.

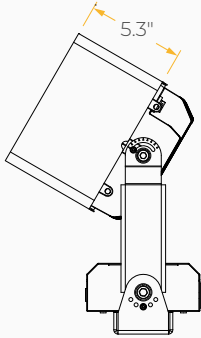
Meteor recommends the use of Belden 9729 or Belden 9841 for DMX installation. Belden 9729/9841 is a two pair cable, which allows for a spare pair for 'out and back' type terminations if needed.

DIMENSIONS

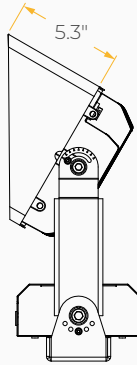


ACCESSORIES

Glare Shield Baffle



Glare Shield Visor



Wire Guard

